

Features

3 input reference clocks:

- Two differential clock pairs, supporting up to 350MHz for both differential and single-ended clock sources
- One crystal input, accepting 8MHz to 50MHz crystal or single-ended clock source

10 output clocks:

- Ten independent LVCMOS output clocks in
One independent LVCMOS output clock

Frequency range: LVCMOS: DC to 350MHz

Excellent PSRR : -53dBc (LVCMOS)@156.25MHz

Ultra-low latency and skew

Additive Jitter

- 34 fs RMS (12kHz to 20MHz) typical
@LVCMOS 156.25MHz

Configurable power supplies :

- Core: 1.8V-3.3V
- Single-ended outputs: 1.5V-3.3V

Pin-based control for flexible input reference selection and output enable/disable

Glitch-free switchover supported in the "G" version

Working temperature: -40°C to +85°C

Package: 32-pin WQFN

General Description

SYKB13C10(G)^{1,2,3} is a type of high-performance clock fanout buffer operating at up to 350MHz with 10 single-ended outputs. The buffer is designed for low-jitter, high-frequency clock/data distribution and level translation.

The buffer supports clock input selection from either two differential clock pairs or one crystal input, distributing the selected clock to two output banks.

Operating with a core supply of 1.8V-3.3V and three independent output supplies of 1.5V-3.3V, the clock buffer provides flexible control via logic pins for input reference clock selection and output enable/disable functions.

The buffer can be paired with SYNK Technology's SYKG010xx clock generator to deliver a robust clock tree solution. With broad input and output frequency ranges, optimized power management, and reduced propagation delay, the buffer operates across a wide temperature range, making it an ideal choice for demanding applications.

Applications

PCIe[®] 1.0 to 6.0 and NVLink

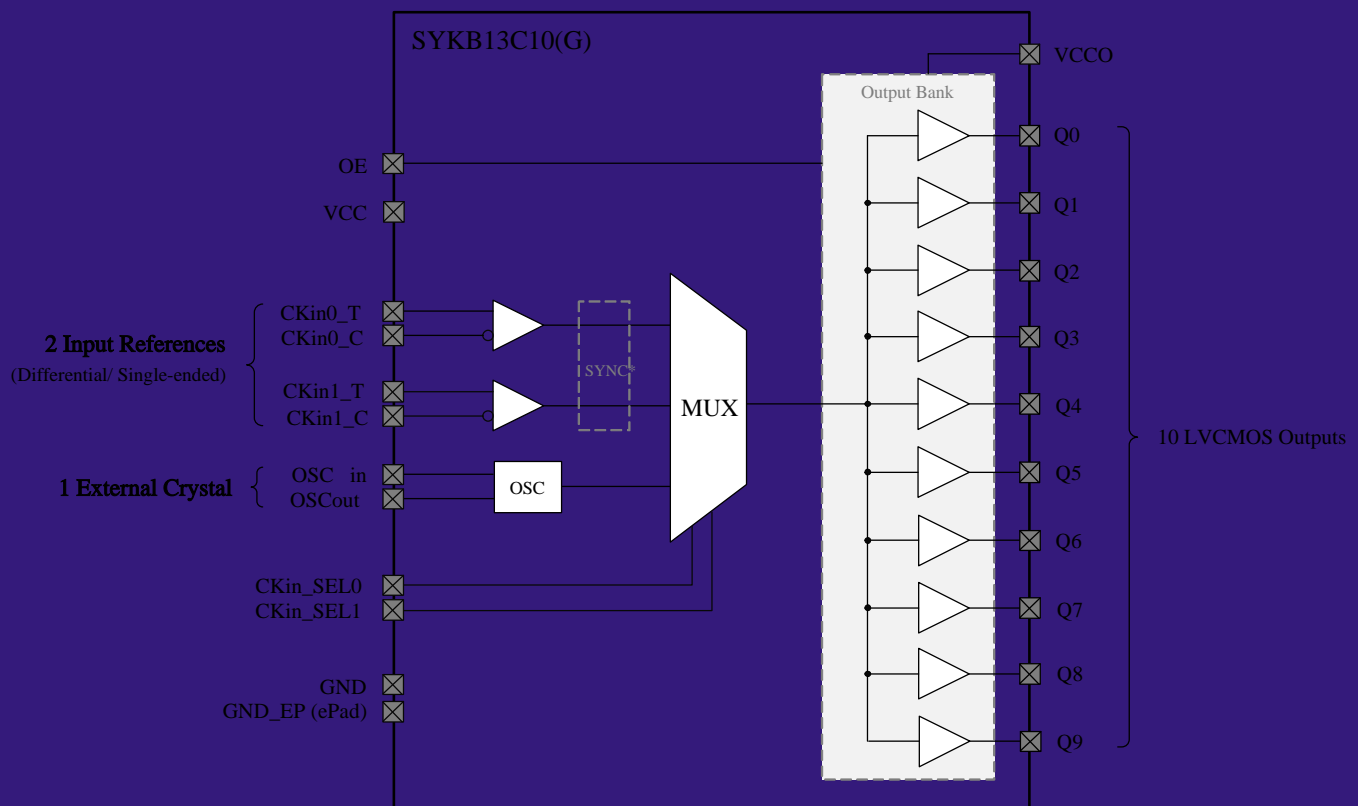
Clock distribution and level translation for ADCs, DACs, SATA/SAS, SONET/SDH, multi-gigabit Ethernet, and Fibre Channel line cards

Servers, storage systems, switches, routers, and display panels

Reference clock distribution for BBU and RRU applications

- 1.SYKB*****: No glitch-free switchover.
- 2.SYKB*****G: Includes glitch-free switchover.
- 3.Unless otherwise stated, the terms "clock buffer" and "buffer" refer to the entire series.

Functional Block Diagram



Note: Only the "G" (includes glitch-free switchover) version supports the synchronization function.

Ordering Information

Part Number	Package	Operating Temperature
SYKB13C10	32-pin WQFN, 5.0mm x 5.0mm x 0.75mm	-40°C to +85°C
SYKB13C10G		

For more information on the product, please contact <https://www.yxc.hk/>